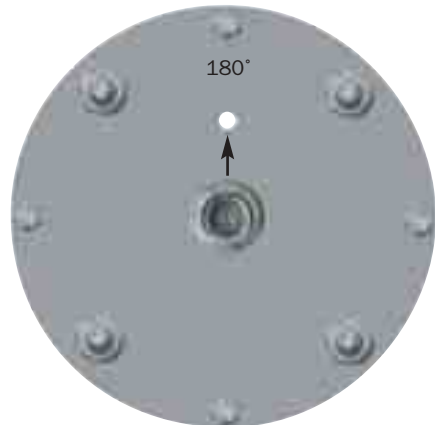
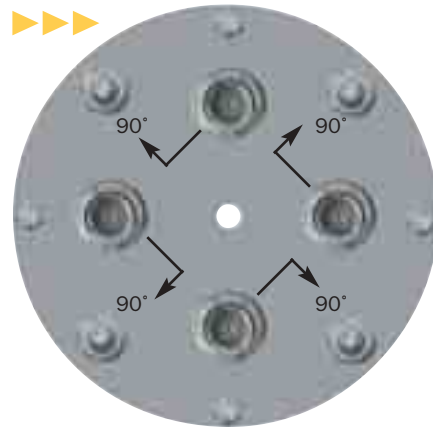


DAWICOM WLAN Products 2.4 GHz

DSM16-90/4 - Sector antenna with H polarization 4 x 90° (4 x 15,5 dBi)

Gain: 4x15,5 dBi
Beamwidth (E-plane @ -3dB): 4x90°
Polarization: Horizontal
VSWR: 1.4:1 Impedance: 50 Ohms
Band: 2400-2486 MHz
Termination: N connector (female)
Power: 10 Watts
Dimension: 110x680 mm
Weight: 3,3 kg



DSM13-180/1 - Sector antenna with H polarization 1 x 180° (12,5 dBi)

Gain: 12,5 dBi
Beamwidth (E-plane @ -3dB): 1x180°
Polarization: Horizontal
VSWR: 1.4:1
Impedance: 50 Ohms
Band: 2400-2486 MHz
Termination: N connector (female)
Power: 10 Watts
Dimension: 110x680 mm
Weight: 2,9 kg



DVM 10 - Omni-directional antenna with H polarization (10 dBi)

Gain: 10 dBi
Beamwidth (E-plane @ -3dB): 360°
Polarization: Horizontal
VSWR: 1.4:1
Impedance: 50 Ohms
Band: 2400-2486 MHz
Termination: N connector (female)
Power: 10 Watts
Dimension: 110x680 mm
Weight: 3,3 kg

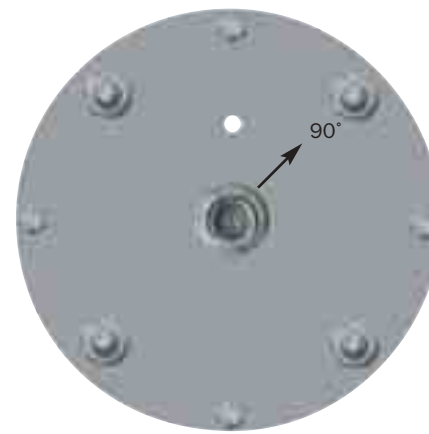
DSR2/30 - Passive 2-way combiner/splitter with extremely low transit loss.

Gain: -3 dB
Beamwidth (E-plane @ -3dB):
VSWR: 1.3:1
Impedance: 50 Ohms
Band: 2400-2486 MHz
Termination: N connector (female)
Power: 10 Watts
Dimension: 100x120 mm
Weight: 0.35 kg



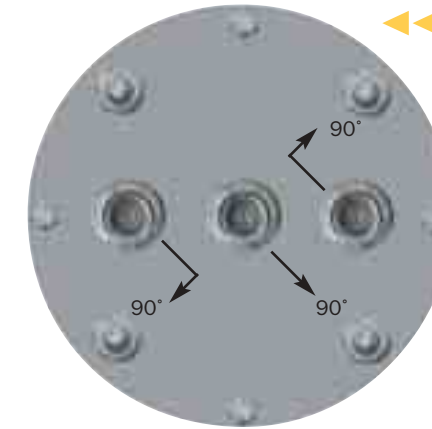
DSR4/00 - Passive 4-way combiner/splitter with extremely low transit loss.

Gain: -6 dB
Beamwidth (E-plane @ -3dB):
VSWR: 1.3:1
Impedance: 50 Ohms
Band: 2400-2486 MHz
Termination: N connector (female)
Power: 10 Watts
Dimension: 110x130 mm
Weight: 0.51 kg



DSM16-90/1 - Sector antenna with H polarization 1 x 90° (15,5 dBi)

Gain: 15,5 dBi
Beamwidth (E-plane @ -3dB): 1x90°
Polarization: Horizontal
VSWR: 1.4:1
Impedance: 50 Ohms
Band: 2400-2486 MHz
Termination: N connector (female)
Power: 10 Watts
Dimension: 110x680 mm
Weight: 2,5 kg



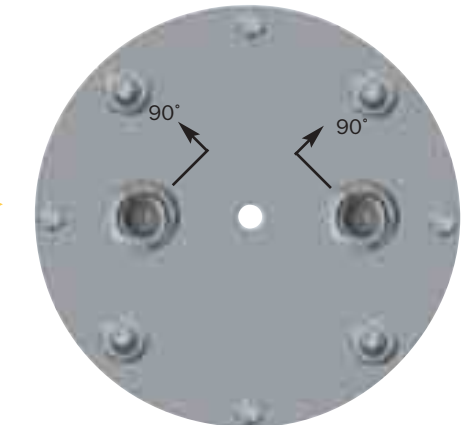
DSM16-90/2 - Sector antenna with H polarization 2 x 90° (2 x 15,5 dBi)

Gain: 2x15,5 dBi
Beamwidth (E-plane @ -3dB): 2x90°
Polarization: Horizontal
VSWR: 1.4:1
Impedance: 50 Ohms
Band: 2400-2486 MHz
Termination: N connector (female)
Power: 10 Watts
Dimension: 110x680 mm
Weight: 2,9 kg

DAWICOM WLAN Products 2.4 GHz

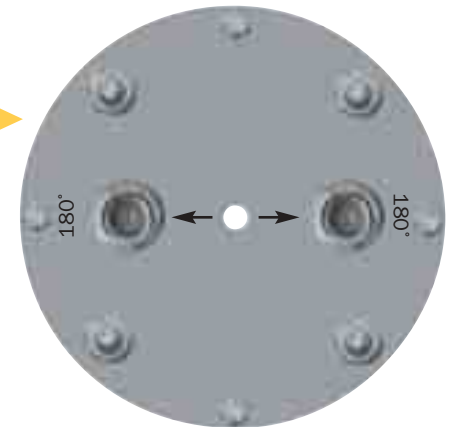
DSM16-90/3 - Sector antenna with H polarization 3 x 90° (3 x 15,5 dBi)

Gain: 3x15,5 dBi
Beamwidth (E-plane @ -3dB): 3x90°
Polarization: Horizontal
VSWR: 1.4:1
Impedance: 50 Ohms
Band: 2400-2486 MHz
Termination: N connector (female)
Power: 10 Watts
Dimension: 110x680 mm
Weight: 3,1 kg



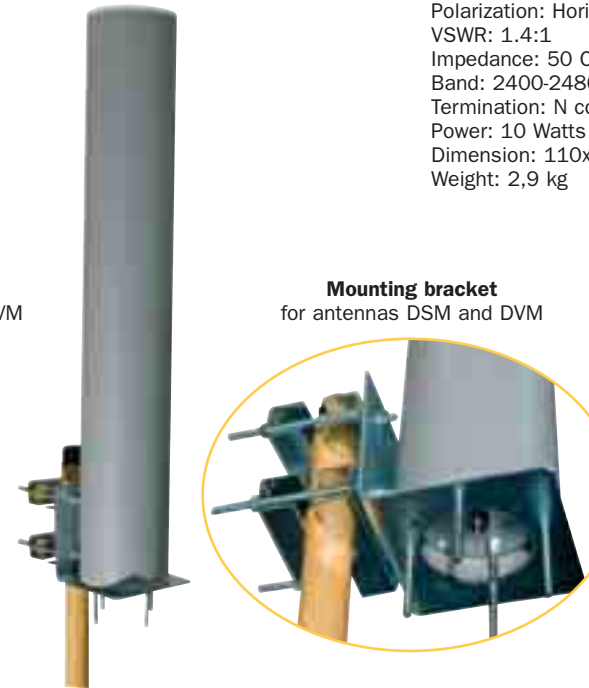
DSM13-180/2 - Sector antenna with H polarization 2 x 180° (2 x 12,5 dBi)

Gain: 2x12,5 dBi
Beamwidth (E-plane @ -3dB): 2x180°
Polarization: Horizontal
VSWR: 1.4:1
Impedance: 50 Ohms
Band: 2400-2486 MHz
Termination: N connector (female)
Power: 10 Watts
Dimension: 110x680 mm
Weight: 3,3 kg



Universal model
of radome for DSM and DVM

Mounting bracket
for antennas DSM and DVM



PA12 - Sector inner patch antenna with H/V polarization

Gain: 12 dBi
Beamwidth (E-plane @ -3dB): 55°
Polarization: H/V
VSWR: 1.5:1
Impedance: 50 Ohms
Band: 2400-2486 MHz
Termination: N connector (female)
Power: 10 Watts
Dimension: 140x45 mm
Weight: 370 g



PA10 - Sector inner patch antenna with H/V polarization

Gain: 10 dBi
Beamwidth (E-plane @ -3dB): 70°
Polarization: H/V
VSWR: 1.5:1
Impedance: 50 Ohms
Band: 2400-2486 MHz
Termination: N connector (female)
Power: 10 Watts
Dimension: 105x45 mm
Weight: 250 g



HXS14 - Helical directional antenna with circular polarization (13,5 dBi)

Gain: 13,5 dBi
Beamwidth (E-plane @ -3dB): 30°
Polarization: Circular
VSWR: 1.5:1
Impedance: 50 Ohms
Band: 2400-2486 MHz Termination: N
connector (female)
Power: 10 Watts
Dimension: 90 x 320 mm
Weight: 0.665 kg



Dawicom s.r.o.
Jeseniova 15
130 00 PRAGUE 3
Czech Republic

VAT No. (Tax No.) CZ25770578

www.dawicom.com

Product Evaluation and Purchasing:

Call 00420 326701261 or send email to jenickova@dawicom.com

Manufacturing:

00420 603 516 662 or send email to vedral@dawicom.com

Antenna Specification:

www.dawicom.com

Order / Delivery Status

Call 00420 603516662 or send email to sales@dawicom.com

DAWICOM s.r.o.

We are specialists in the development and manufacture of microwave antennas. Our main activity is the production of omni-directional, directional and sector antennas with horizontal polarization for Wifi and Wimax bands

our other activity:

- we take part in more projects aimed to develop special electronic equipments
- we also manufacture WLAN components for 2.3-2.7, 3.5, 4.9, 5.1-5.8 GHz unlicensed and licensed bands
- we develop special electronic equipments

your dealer:

DAWICOM

WLAN Products 2.4 GHz

DAWICOM s.r.o.