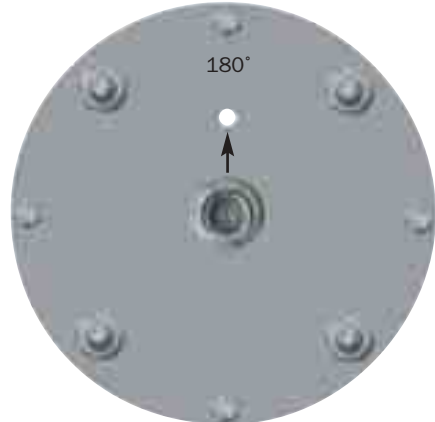
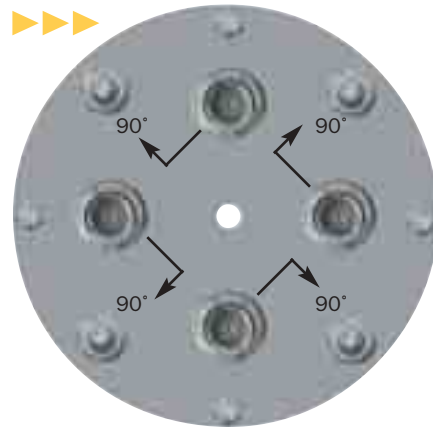


## DAWICOM WiMAX Products 3.5 GHz

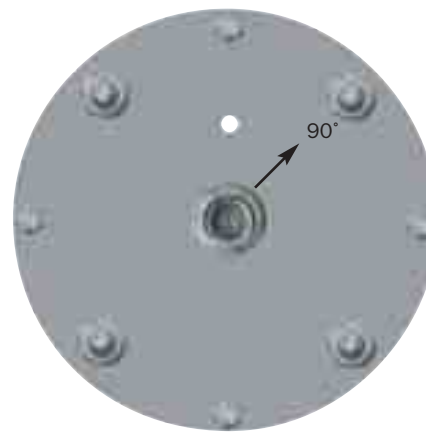
### DSM16-90/4-MAX35 - 4 sector antennas with H polarization 4 x 90° (4 x 15,5 dBi)

Gain: 4x15,5 dBi  
Beamwidth (E-plane @ -3dB): 4x90°  
Polarization: Horizontal  
VSWR: 1.4:1 Impedance: 50 Ohms  
Band: 3300-3800 MHz  
Termination: N connector (female)  
Power: 10 Watts  
Dimension: 110x600 mm  
Weight: 3.3 kg



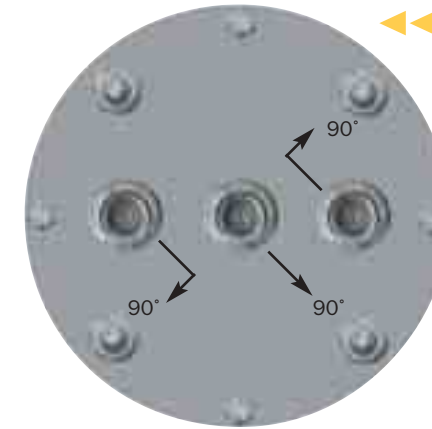
### DSM13-180/1-MAX35 - Sector antenna with H polarization 1 x 180° (12,5 dBi)

Gain: 12,5 dBi  
Beamwidth (E-plane @ -3dB): 1x180°  
Polarization: Horizontal  
VSWR: 1.4:1  
Impedance: 50 Ohms  
Band: 3300-3800 MHz  
Termination: N connector (female)  
Power: 10 Watts  
Dimension: 110x600 mm  
Weight: 2,9 kg



### DSM16-90/1-MAX35 - Sector antenna with H polarization 1 x 90° (15,5 dBi)

Gain: 15,5 dBi  
Beamwidth (E-plane @ -3dB): 1x90°  
Polarization: Horizontal  
VSWR: 1.4:1  
Impedance: 50 Ohms  
Band: 3300-3800 MHz  
Termination: N connector (female)  
Power: 10 Watts  
Dimension: 110x600 mm  
Weight: 2.4 kg



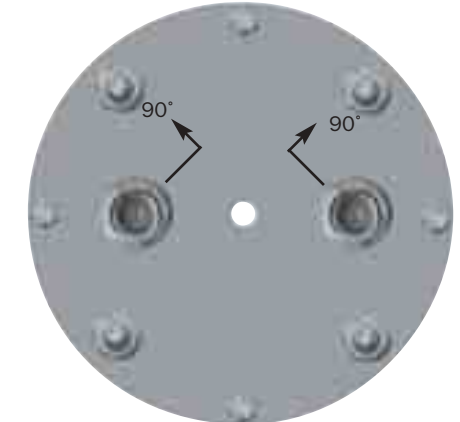
### DSM16-90/2-MAX35 - 2 sector antennas with H polarization 2 x 90° (2 x 15,5 dBi)

Gain: 2x15,5 dBi  
Beamwidth (E-plane @ -3dB): 2x90°  
Polarization: Horizontal  
VSWR: 1.4:1  
Impedance: 50 Ohms  
Band: 3300-3800 MHz  
Termination: N connector (female)  
Power: 10 Watts  
Dimension: 110x600 mm  
Weight: 2.8 kg

## DAWICOM WiMAX 3.5 GHz Products

### DSM16-90/3-MAX35 - 3 sector antennas with H polarization 3 x 90° (3 x 15,5 dBi)

Gain: 3x15,5 dBi  
Beamwidth (E-plane @ -3dB): 3x90°  
Polarization: Horizontal  
VSWR: 1.4:1  
Impedance: 50 Ohms  
Band: 3300-3800 MHz  
Termination: N connector (female)  
Power: 10 Watts  
Dimension: 110x600 mm  
Weight: 3.0 kg



### DVM 10 - MAX35 - Omni-directional antenna with H polarization (10 dBi)

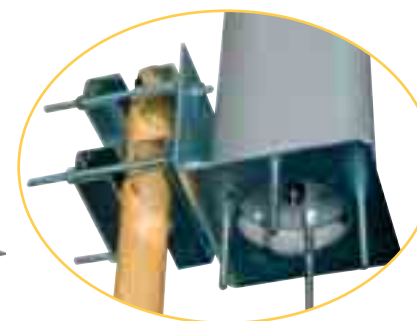
Gain: 10 dBi  
Beamwidth (E-plane @ -3dB): 360°  
Polarization: Horizontal  
VSWR: 1.4:1  
Impedance: 50 Ohms  
Band: 3300-3800 MHz  
Termination: N connector (female)  
Power: 10 Watts  
Dimension: 110x600 mm  
Weight: 3.2 kg



Universal model  
of radome for DSM and DVM

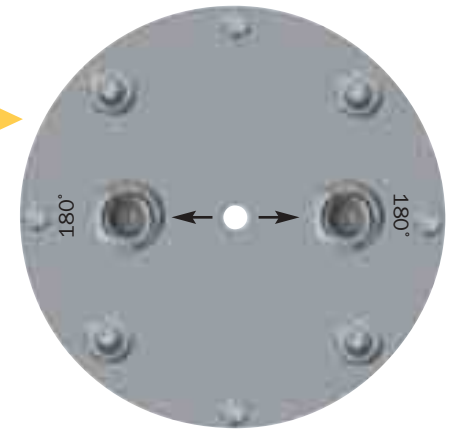


Mounting bracket  
for antennas DSM and DVM



### DSM13-180/2-MAX35 - 2 sector antennas with H polarization 2 x 180° (2 x 12,5 dBi)

Gain: 2x12,5 dBi  
Beamwidth (E-plane @ -3dB): 2x180°  
Polarization: Horizontal  
VSWR: 1.4:1  
Impedance: 50 Ohms  
Band: 3300-3800 MHz  
Termination: N connector (female)  
Power: 10 Watts  
Dimension: 110x600 mm  
Weight: 3.2 kg



### PA12-MAX35 - Sector patch antenna with H/V polarization

Gain: 12 dBi  
Beamwidth (E-plane @ -3dB): 55°  
Polarization: H/V  
VSWR: 1.5:1  
Impedance: 50 Ohms  
Band: 3300-3800 MHz  
Termination: N connector (female)  
Power: 10 Watts  
Dimension: 140x45 mm  
Weight: 370 g



### PA10-MAX35 - Sector patch antenna with H/V polarization

Gain: 10 dBi  
Beamwidth (E-plane @ -3dB): 70°  
Polarization: H/V  
VSWR: 1.5:1  
Impedance: 50 Ohms  
Band: 3300-3800 MHz  
Termination: N connector (female)  
Power: 10 Watts  
Dimension: 105x45 mm  
Weight: 250 g



**Dawicom s.r.o.**  
Jeseniova 15  
130 00 PRAGUE 3  
Czech Republic

VAT No. (Tax No.) CZ25770578

[www.dawicom.com](http://www.dawicom.com)

**Product Evaluation and Purchasing:**

Call 00420 326701261 or send email to [jenickova@dawicom.com](mailto:jenickova@dawicom.com)

**Manufacturing:**

00420 603 516 662 or send email to [vedral@dawicom.com](mailto:vedral@dawicom.com)

**Antenna Specification:**

[www.dawicom.com](http://www.dawicom.com)

**Order / Delivery Status**

Call 00420 603516662 or send email to [sales@dawicom.com](mailto:sales@dawicom.com)

**DAWICOM s.r.o.**

We are specialists in the development and manufacture of microwave antennas. Our main activity is the production of omni-directional, directional and sector antennas with horizontal polarization for Wifi and Wimax bands

**our other activity:**

- we take part in more projects aimed to develop special electronic equipments
- we also manufacture WLAN components for 2.4,2.5, 3.5, 4.9, 5.1-5.8 GHz unlicensed and licensed bands
- we develop special electronic equipments

your dealer:

# DAWICOM

## WiMAX antennas for 3.5 GHz band

DAWICOM s.r.o.